



**ROTARY
CYLINDER**

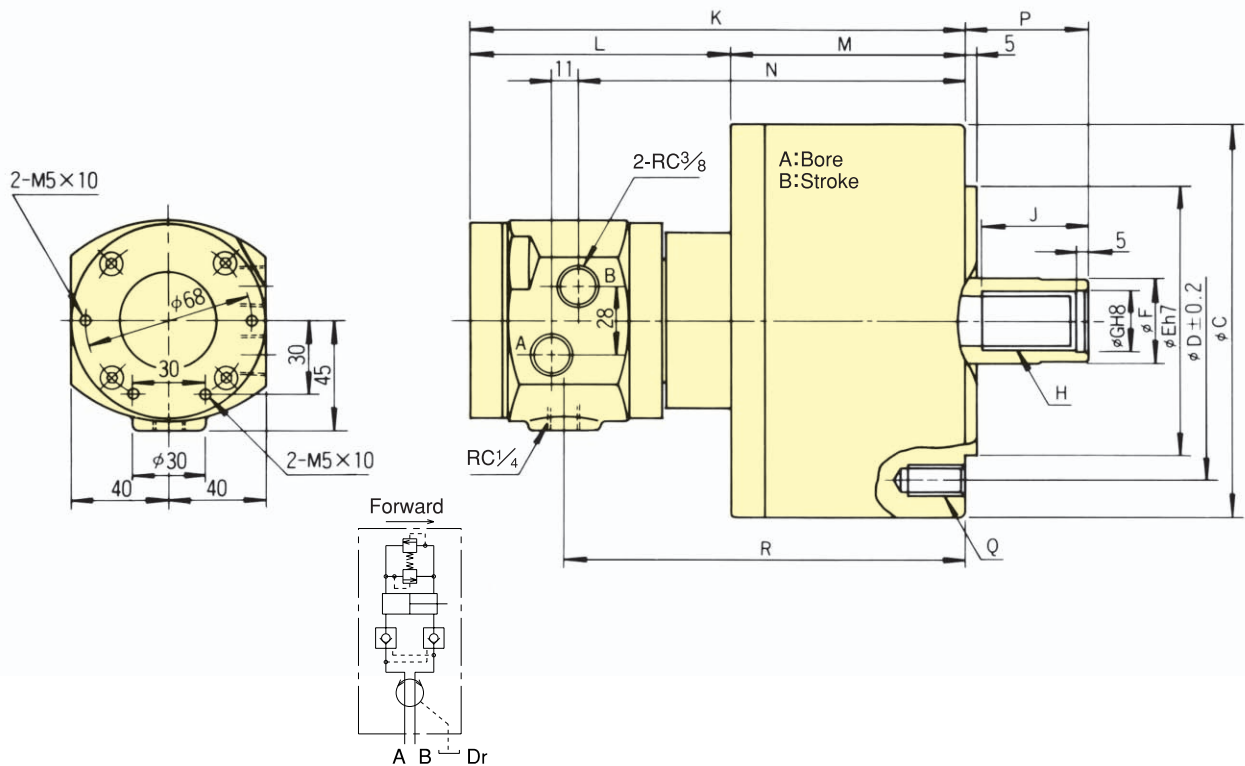
Hydraulic Cylinder with Closed Center Y-R series

Closed Center KITAGAWA standard type

- Built-in safety check valves and pressure relief valves



Dimensional Drawings



Dimensions

Model	A	B	C	D	E	F	G	H	J	K	L	M	N	P max.	P min.	Q	R
Y0715R	75	15	104	90	65	30	21	M20	35	172	106	66	127	46	31	6-M 6×20	133
Y1020R	105	20	135	100	80	30	21	M20	35	197	108	89	152	45	25	6-M10×20	158
Y1225R	125	25	160	130	110	35	25	M24	44	205	108	97	160	51	26	6-M12×24	166
Y1530R	150	30	190	130	110	45	31	M30	45	214	108	106	169	56	26	12-M12×24	175
Y2035R	200	35	245	145	120	55	37	M36	60	228	106	122	183	69	34	12-M16×30	189

Specifications

※Draw bar pull force : Pressure 4.0MPa (40.8kgf/cm²) ※Total leakage : 3.0MPa (30.6kgf/cm²) and oil temperature 50°C.

Model	Piston stroke mm	Piston Area		Draw bar		Max. Operation Pressure MPa (kgf/cm ²)	Total leakage ℓ / min	Max. Speed min ⁻¹ (r.p.m)	Weight kg	Moment of inertia kg·m ²
		Push Side cm ²	Pull Side cm ²	Push Side kN(ℓgf)	Pull Side kN(ℓgf)					
Y0715R	15	44	37	16.6 (1693)	13.9 (1417)	4.0 (40.8)	0.8	6000	4.0	0.003
Y1020R	20	86	79	32 (3263)	29 (2957)	4.0 (40.8)	0.8	6000	7.1	0.013
Y1225R	25	122	113	46 (4691)	42 (4283)	4.0 (40.8)	0.8	6000	10	0.023
Y1530R	30	176	160	66 (6730)	60 (6118)	4.0 (40.8)	0.8	5500	13.5	0.048
Y2035R	35	314	290	117 (11930)	108 (11013)	4.0 (40.8)	0.8	5500	22	0.098

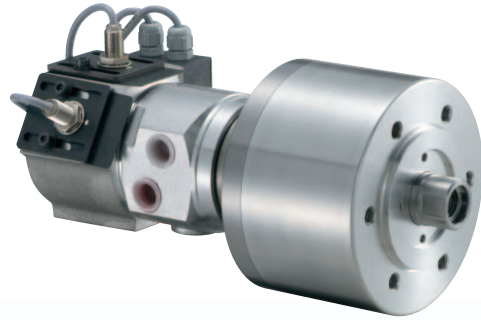


**ROTARY
CYLINDER**

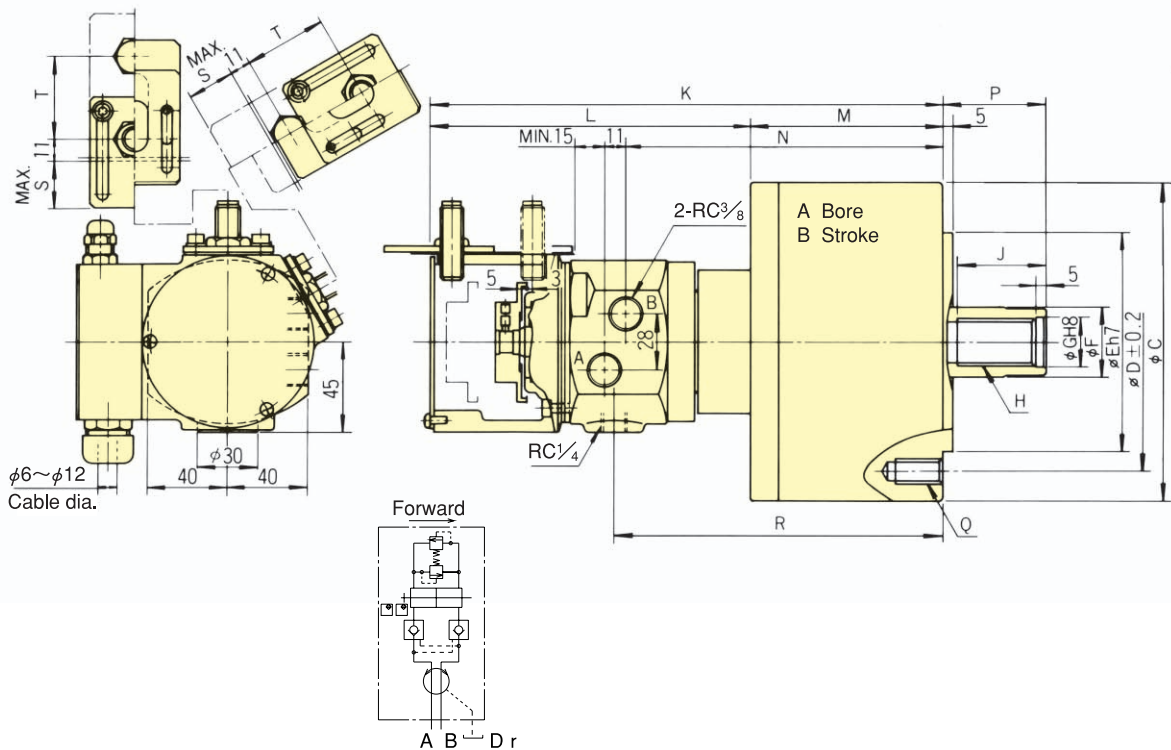
Hydraulic Cylinder with Closed Center Y-RE series

Closed Center KITAGAWA standard series
Confirming sensor built-in

- Built-in check valve, relief valve and sensor switches



Dimensional Drawings



Dimensions

Dimensions	A	B	C	D	E	F	G	H	J	K	L	M	N	P max.	P min.	Q	R	S	T
Y0715RE	75	15	104	90	65	30	21	M20	32	227	161	66	127	46	31	6-M 6x20	133	23	41
Y1020RE	105	20	135	100	80	30	21	M20	35	252	163	89	152	45	25	6-M10x20	158	23	41
Y1225RE	125	25	160	130	110	35	25	M24	44	260	163	97	160	51	26	6-M12x24	166	23	41
Y1530RE	150	30	190	130	110	45	31	M30	45	269	163	106	169	56	26	12-M12x24	175	23	41
Y2035RE	200	35	245	145	120	55	37	M36	60	288	166	122	183	69	34	12-M16x30	189	28	46

*Draw bar pull force : Pressure 4.0MPa (40.8kgf/cm²) *Total leakage : Pressure 3.0MPa (30.6kgf/cm²) and oil temperature 50°C.

*Proximity switch: Model BES516-329-E3R (manufactured by B & Plus KK) DC12/24V 200mA NPN

Specifications

Specifications	Piston stroke mm	Piston Area		Draw bar		Max. Operation Pressure MPa (kgf/cm ²)	Total leakage ℓ /min	Max. Speed min ⁻¹ (r.p.m)	Net Weight kg	Moment of inertia kg·m ²
		Push Side cm ²	Pull Side cm ²	Push Side kN(kgf)	Pull Side kN(kgf)					
Y0715RE	15	42	37	15.9 (1621)	13.9 (1417)	4.0 (40.8)	0.8	6000	4.5	0.003
Y1020RE	20	84	79	31 (3161)	29 (2957)	4.0 (40.8)	0.8	6000	7.6	0.012
Y1225RE	25	120	113	45 (4589)	42 (4283)	4.0 (40.8)	0.8	6000	10.5	0.023
Y1530RE	30	174	160	65 (6628)	60 (6118)	4.0 (40.8)	0.8	5500	14	0.048
Y2035RE	35	312	290	117 (11930)	108 (11013)	4.0 (40.8)	0.8	5500	22.5	0.098