

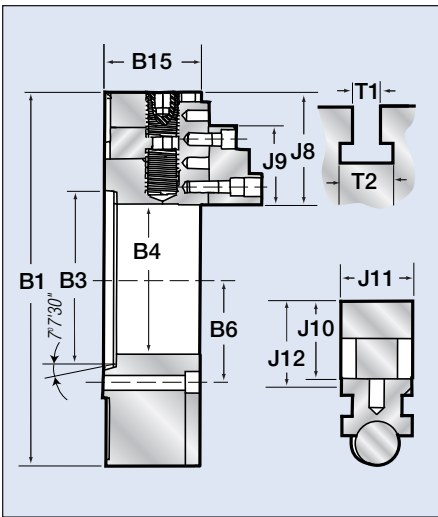


Atlas Workholding King Bore Oil Country 4-Jaw Independent Chucks

Series 432EX Extra Heavy-Duty Sizes 18" thru 48"

- ⊕ Forged Steel Body
- ⊕ Extra Heavy Duty American Standard, Hard Top and Master Jaws.
- ⊕ Gripping surfaces serrated for more holding power
- ⊕ Large Thru-Holes Standard
- ⊕ T-Slots Standard
- ⊕ Direct A Type Mounting
- ⊕ One Year Warranty
- ⊕ Available in smaller and larger sizes on request

Manual Chucks with Mounting Plates



Chuck Size	Model No.	Mount	Thru Hole	Max rpm's	Approx. Weight
18	1843-2A11EX	A2-11	6.50"	1100	350 lbs
21	2143-2A11EX	A2-11	6.50"	1000	540 lbs
21	2143-2A15EX	A2-15	7.30"	1000	533 lbs
24	2443-2A11EX	A2-11	6.50"	850	720 lbs
24	2443-2A15EX	A2-15	11.00"	850	700 lbs
24	2443-2A20EX	A2-20	12.59"	850	685 lbs
28	2843-2A15EX	A2-15	10.50"	700	905 lbs
28	2843-2A20EX	A2-20	12.59"	700	920 lbs
32	3243-2A15EX	A2-15	10.50"	600	1265 lbs
32	3243-2A20EX	A2-20	12.59"	600	1255 lbs
36	3643-2A20EX	A2-20	12.59"	600	1930 lbs
40	4043-2A20EX	A2-20	12.59"	500	2350 lbs
40	4043-2A28EX	A2-28	18.50"	500	2275 lbs

Consult factory for 48" and larger sizes.

Dimensional Data 4-Jaw Independent King Bore Oil Country Chuck

Model No.	B1 O. D.	B3 Mount Type	B4 Mount Recess	B6 Thru Hole	B15 Mounting Bolt Radius	J8 Body Width	J9 Master Jaw Length	J10 Top Jaw Length	J11 Top Jaw Height	J12 Top Jaw Width	T1 Top Jaw Height From Face	T2 T-Slot	T2 T-Slot
1843-2A11EX	18"	A2-11	7.75"	6.50"	4.625"	5.75"	6.50"	5.00"	2.87"	2.40"	3.26"	.855"	1.565"
2143-2A11EX	21"	A2-11	7.75"	6.57"	4.625"	5.75"	6.50"	5.00"	2.87"	2.40"	3.26"	.855"	1.565"
2143-2A15EX	21"	A2-15	11.25"	7.30"	6.50"	5.75"	6.50"	5.00"	2.87"	2.40"	3.26"	.855"	1.565"
2443-2A11EX	24"	A2-11	7.75"	6.57"	4.625"	6.10"	8.00"	5.00"	3.26"	3.00"	3.62"	.855"	1.565"
2443-2A15EX	24"	A2-15	11.25"	10.51"	6.50"	6.10"	8.00"	5.00"	3.26"	3.00"	3.62"	.855"	1.565"
2443-2A20EX	24"	A2-20	16.25"	12.59"	9.125"	6.10"	8.00"	5.00"	3.26"	3.00"	3.62"	.855"	1.565"
2843-2A15EX	28"	A2-15	11.25"	10.51"	6.50"	6.10"	8.00"	5.00"	3.26"	3.00"	3.62"	.855"	1.565"
2843-2A20EX	28"	A2-20	16.25"	12.59"	9.125"	6.10"	8.00"	5.00"	3.26"	3.00"	3.62"	.855"	1.565"
3243-2A15EX	32"	A2-15	11.25"	10.51"	6.50"	6.50"	8.00"	5.00"	3.26"	3.00"	3.62"	.855"	1.565"
3243-2A20EX	32"	A2-20	16.25"	12.59"	9.125"	6.50"	8.00"	5.00"	3.26"	3.00"	3.62"	.855"	1.565"
3643-2A20EX	36"	A2-20	16.25"	12.59"	9.125"	6.50"	8.00"	5.00"	3.26"	3.00"	3.62"	.855"	1.565"
4043-2A20EX	39.37"	A2-20	16.25"	12.59"	9.125"	6.50"	8.00"	5.00"	3.26"	3.00"	3.62"	.855"	1.565"
4043-2A28EX	39.37"	A2-28	23.00"	18.50"	12.75"	6.50"	8.00"	5.00"	3.26"	3.00"	3.62"	.855"	1.565"

HOW TO ORDER: State quantity, Model Number of chuck, Part Number of adapter, and shipping instructions.